

Piston Hand Pumps

Features & Benefits

- Portable design - lightweight
- Ease of use - versatile flexible outlet pipe
- Ready to pump - 1"/25 mm hose no fittings or plumbing required
- Ease of operation - simple handle plunger
- Suitable for bilge water or diesel transfer
- Available in two barrel lengths 410 mm (16") or 560mm (22")

Typical Applications

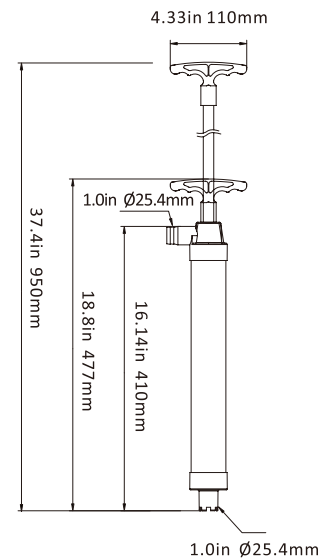
- Marine
- Kayaks & Canoes
- RV & Campers
- Industrial

Standard Accessory



STANDARD PUMP CONFIGURATIONS

	Short Barrel Version
Product Code	SFPH-H950-01/02
Hose Connections	25 mm (1") Hose Connections
Weight	0.48 lbs (0.22 kg)
Materials	Pump Body: PP, Valve: EPDM
Materials In Contact with Fluid	PP, EPDM
Suction Lift	1m (3 ft)
Discharge Head	0.5 m (1.5 ft)
45 Strokes per Minute	19 ltrs (5 US gals)
70 Strokes per Minute	31.4 ltrs (8.3 US gals)



STANDARD PUMP CONFIGURATIONS

	Long Barrel Version
Product Code	SFPH-H1100-01/02
Hose Connections	25 mm (1") Hose Connections
Weight	0.64 lbs (0.29 kg)
Materials	Pump Body: PP, Valve: EPDM
Materials In Contact with Fluid	PP, EPDM
Suction Lift	1m (3 ft)
Discharge Head	0.5 m (1.5 ft)
45 Strokes per Minute	19 ltrs (5 US gals)
70 Strokes per Minute	31.4 ltrs (8.3 US gals)

