



Diaphragm Pump 31 Series

Features & Benefits

- Positive displacement pump
- Can run dry
- Quiet operation
- Demand Pump
- Industry standard mount pattern

Typical Applications

- Water Treatment/RO
- Beverage/Food Service
- Distillation Equipment
- Agricultural Spraying
- General Industrial
- Automotive
- Marine/RV

PUMP

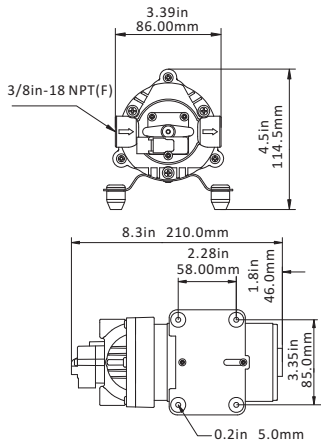
- Type**
3 Chamber positive displacement diaphragm pump, self priming, capable of being run dry
- Mode**
demand
- Liquid Temperature**
140°F (60°C) Max.
- Priming Capabilities**
6 feet (1.8 m) suction lift
- Max Pressure**
80 PSI (5.5 bar)

Inlet/Outlet Ports

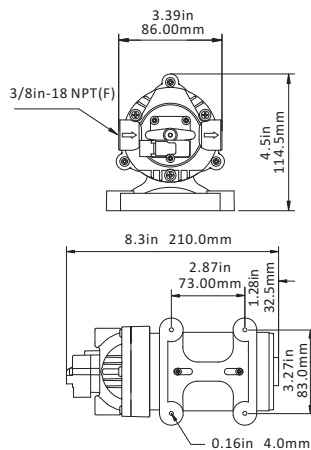
- Type**
3/8"-18 FNPT
- Weight**
5.7 lbs (2.6 kg)

MOTOR

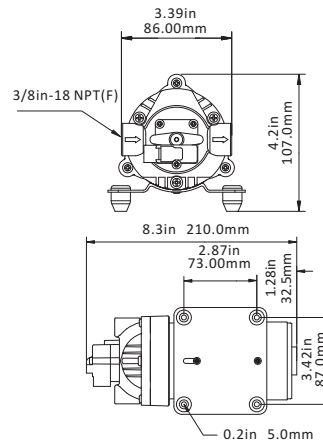
- Duty Cycle**
Continuous
- Leads**
DC: 16 AWG, 4.5" long with 2-Pin connector/Leads
- Voltage**
DC 12v/DC 24v



High Rubber Feet Metal Plate



High Temperature & Soft Rubber Plate



Flat Rubber Feet Metal Plate

STANDARD PUMP CONFIGURATIONS

Model	Switch	GPM/LPM	PSI/BAR	Max Draw(A)	Valves	Diaphragm	Ports	Voltage	Wire Connections
SFDP1-015-080-31	Demand	1.5/5.5	80/5.5	7.0	EPDM	Santoprene	3/8"-18 FNPT	12V	2-Pin/Leads
SFDP2-015-080-31	Demand	1.5/5.5	80/5.5	4.0	EPDM	Santoprene	3/8"-18 FNPT	24V	2-Pin/Leads
SFDP1-018-080-31	Demand	1.8/7.0	80/5.5	9.0	EPDM	Santoprene	3/8"-18 FNPT	12V	2-Pin/Leads
SFDP2-018-080-31	Demand	1.8/7.0	80/5.5	4.5	EPDM	Santoprene	3/8"-18 FNPT	24V	2-Pin/Leads