



Diaphragm Pump 51 Series

An economical workhorse, the 51 series are engineered for flexibility. With on-demand switching, 3.0 to 5.0 GPM, and 60 PSI, the 51 series will meet your special requirements with positive predictable performance. Seaflo also offers a variety of easy connect fittings and filters

Features & Benefits

- Positive displacement pump
- Can run dry
- Quiet operation
- Demand Pump
- Easy connect fittings
- Industry standard mount pattern

Typical Applications

- Agricultural Spraying
- General Industrial
- Automotive
- Marine/RV

PUMP

- Type**
5 chamber positive displacement diaphragm pump, self priming, capable of being run dry
- Mode**
Demand
- Liquid Temperature**
140°F (60°C) Max.
- Priming Capabilities**
6 feet (1.8 m) suction lift
- Max Pressure**
70 PSI (4.8 bar)

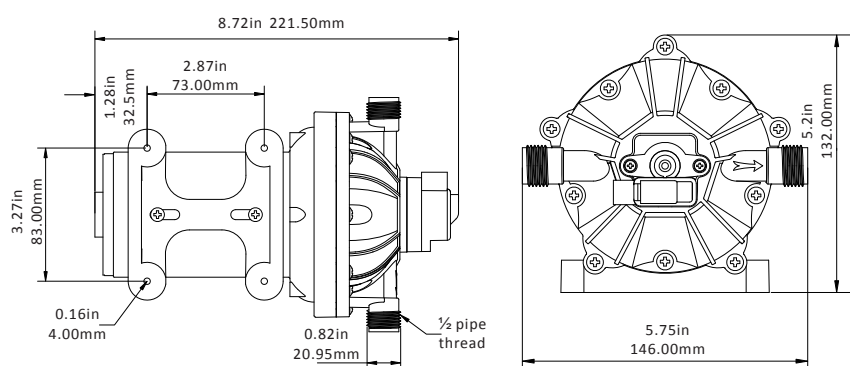
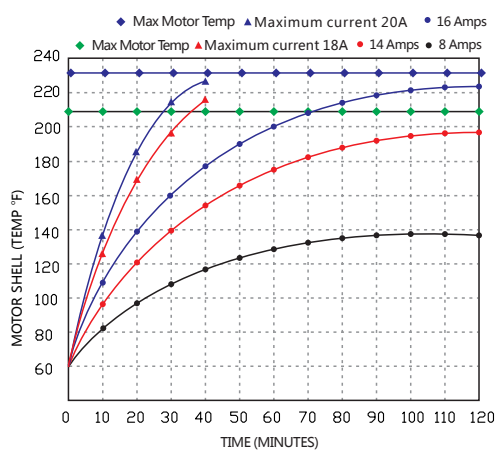
Inlet/Outlet Ports

- 1/2" -14 MNPT
- Weight**
7 lbs (3.17 kg)

MOTOR

- Duty Cycle**
Continuous
- Voltage**
12v/24v
- Leads**
16 AWG, 4.5" long with/Leads
2-Pin connector

HEAT RISE



PUMP PERFORMANCE

3.0 GPM					4.0 GPM					5.0 GPM				
PSI	BAR	GPM	LPM	Amps	PSI	BAR	GPM	LPM	Amps	PSI	BAR	GPM	LPM	Amps
OPEN	0	3.20	12.35	6.20	OPEN	0	4.00	15.44	6.60	OPEN	0	5.10	19.70	9.60
10	0.68	2.92	11.27	8.00	10	0.68	3.72	14.36	8.00	10	0.68	4.20	16.20	11.40
20	1.36	2.55	9.84	9.10	20	1.36	3.45	13.32	9.30	20	1.36	3.52	13.59	12.70
30	2.04	2.17	8.38	10.10	30	2.04	3.01	11.62	10.20	30	2.04	3.05	11.77	14.20
40	2.72	1.89	7.38	11.10	40	2.72	2.89	11.18	11.40	40	2.72	2.61	10.07	15.40
50	3.40	1.61	6.21	12.00	50	3.40	1.93	7.45	12.60	50	3.40	2.24	8.65	16.30
60	4.08	OFF	0	0	60	4.08	OFF	0	0	60	4.08	OFF	0	0

STANDARD PUMP CONFIGURATIONS

Model	Switch	GPM/LPM	PSI/BAR	Max Draw (A)	Valves	Diaphragm	Ports	Voltage	Wire Connections
SFDP1-030-060-51	Demand	3.0/11.3	60/4.1	12.0	Viton	Santoprene	1/2"-14 MNPT	12V DC	2-Pin/Leads
SFDP2-030-060-51	Demand	3.0/11.3	60/4.1	6.0	Viton	Santoprene	1/2"-14 MNPT	24V DC	2-Pin/Leads
SFDP1-040-060-51	Demand	4.0/15.1	60/4.1	15.0	Viton	Santoprene	1/2"-14 MNPT	12V DC	2-Pin/Leads
SFDP2-040-060-51	Demand	4.0/15.1	60/4.1	7.0	Viton	Santoprene	1/2"-14 MNPT	24V DC	2-Pin/Leads
SFDP1-050-060-51	Demand	5.0/18.9	60/4.1	17.0	Viton	Santoprene	1/2"-14 MNPT	12V DC	2-Pin/Leads
SFDP2-050-060-51	Demand	5.0/18.9	60/4.1	9.0	Viton	Santoprene	1/2"-14 MNPT	24V DC	2-Pin/Leads

Consult factory for other available models

FITTINGS

Item Number	Size	Fitting Type	Material
51F01	1/2" -14 FNPT x 1/2" Barb	HSE Barb Straight Fitting	POM & PP
51F02	1/2" -14 FNPT x 3/8" Barb	HSE Barb Straight Fitting	POM & PP
51F03	1/2" -14 FNPT x 1/2" Barb	HSE Barb Elbow Fitting	POM & PP
51F04	1/2" -14 FNPT x 1/2" -14 MNPT	MNPT Elbow Fitting	POM & PP



FILTER

Item Number	Inlet	Outlet	Mesh Size
51S01	1/2" -14 MNPT	1/2" -14 FNPT Inline Filter/Strainer	50

Fittings and filter included with the 1/2" MNPT pumps only.



51S01