



Diaphragm Pump 34 Series

An economical workhorse, the 34 series are engineered for flexibility. With on-demand switching, 8.3 GPM, and 70 PSI, the 34 series will meet your special requirements with positive predictable performance. Seaflo also offers a variety of easy connect fittings and filters

Features & Benefits

- Positive displacement pump
- Can run dry
- Quiet operation
- Available demand
- Industry standard mount pattern
- Easy connect fittings

Typical Applications

- Beverage/Food Service
- Agricultural Spraying
- General Industrial
- Automotive
- Marine/RV

PUMP

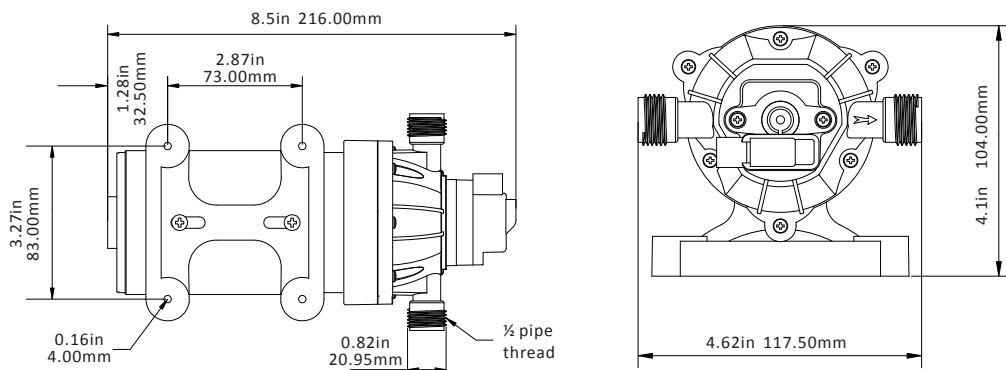
- Type**
3 chamber positive displacement diaphragm pump, self priming, capable of being run dry
- Mode**
demand
- Liquid Temperature**
140°F (60°C) Max.
- Priming Capabilities**
6 feet (1.8 m) suction lift
- Max Pressure**
70 PSI (4.8 bar)

Inlet/Outlet Ports

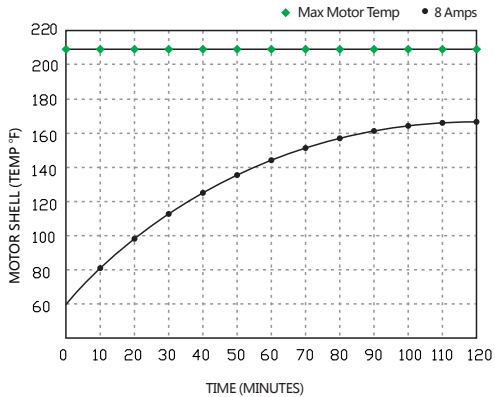
- 1/2" -14 MNPT
- Weight**
4.7 lbs (2.16 kg)

MOTOR

- Duty Cycle**
Continuous
- Leads**
16 AWG, 4.5" long with 2-Pin connector/Leads



HEAT RISE



PUMP PERFORMANCE

PSI	BAR	GPM	LPM	Amps	2.2 GPM
OPEN	0	2.20	8.30	4.20	
10	0.68	2.00	7.90	4.40	
20	1.36	1.80	6.88	5.10	
30	2.04	1.70	6.50	5.70	
40	2.72	1.60	6.00	6.30	
50	3.40	1.34	5.10	6.80	
60	4.08	1.00	4.10	7.50	
70	4.81	OFF	0	0	

STANDARD PUMP CONFIGURATIONS

Model	Switch	GPM/LPM	PSI/BAR	Max Draw (A)	Valves	Diaphragm	Ports	Voltage	Wire Connections
SFDP1-022-070-34	Demand	2.2/8.3	70/4.8	7.5	Viton	Santoprene	1/2"-14 MNPT	12V	2-Pin/Leads
SFDP2-022-070-34	Demand	2.2/8.3	70/4.8	4.0	Viton	Santoprene	1/2"-14 MNPT	24V	2-Pin/Leads

Consult factory for other available models

FITTINGS

Item Number	Size	Fitting Type	Material
51F01	1/2" -14 FNPT x 1/2" Barb	HSE Barb Straight Fitting	POM & PP
51F02	1/2" -14 FNPT x 3/8" Barb	HSE Barb Straight Fitting	POM & PP
51F03	1/2" -14 FNPT x 1/2" Barb	HSE Barb Elbow Fitting	POM & PP
51F04	1/2" -14 FNPT x 1/2" -14 MNPT	MNPT Elbow Fitting	POM & PP



FILTER

Item Number	Inlet	Outlet	Mesh Size
51S01	1/2" -14 MNPT	1/2" -14 FNPT Inline Filter/Strainer	50



Fittings and filter included with the 1/2" MNPT pumps only.