



360°



## Diaphragm Pump 22 Series

The Seaflo 22 series pumps are your best choice when looking for a high performance diaphragm pump at an economical cost. Simple but highly versatile, the Seaflo 22 series pumps are perfect for fluid handing applications such as purification, light industrial, food and beverage, agricultural, and automotive. Additionally, it's packed with features and capabilities you'll never find in other pumps at this price point.

### Features & Benefits

- Positive displacement pump
- Can run dry
- Quiet operation
- Available demand and bypass
- Industry standard mount pattern

### Typical Applications

- Marine/RV
- Water Treatment/Ro
- Beverage/Food Service
- Distillation Equipment
- Agricultural Spraying
- General Industrial
- Automotive

### PUMP

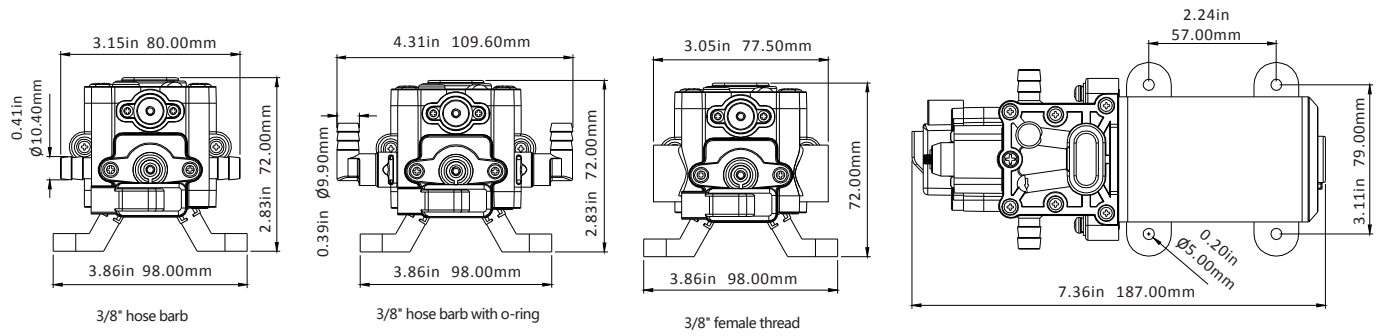
- Type**  
2 Chamber positive displacement diaphragm pump, self priming, capable of being run dry
- Mode**  
demand or bypass
- Liquid Temperature**  
140°F (60°C) Max.
- Priming Capabilities**  
6 feet (1.8 m) suction lift
- Max Pressure**  
100 PSI (6.9 bar)

### Inlet/Outlet Ports

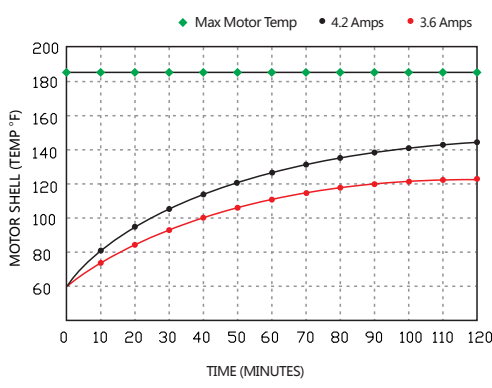
- 3/8" hose barb
- Weight**  
2.6 lbs (1.18 kg)

### MOTOR

- Duty Cycle**  
Intermittent
- Voltage**  
12v/24v
- Leads**  
18 AWG, 9.84" long with 2-Pin connector/Leads



### HEAT RISE



### PUMP PERFORMANCE

PSI	GPM	AMPS
0	1.10	1.9
10	1.05	2.3
20	0.92	2.6
30	0.87	2.9
40	0.72	3.3
50	0.67	3.5
60	0.64	3.6
70	0.58	3.6
80	0	0

PSI	GPM	AMPS
0	1.21	2.1
10	1.15	2.6
20	1.10	3.0
30	1.05	3.4
40	1.00	3.7
50	0.93	3.9
60	0.82	3.9
70	0.75	4.0
80	0.60	4.0
90	0.57	4.2
100	0	0

### STANDARD PUMP CONFIGURATIONS

Model	Switch	GPM/LPM	PSI/BAR	Max Draw (A)	Valves	Diaphragm	Ports	Voltage	Wire Connections
SFDP1-013-100-22	Demand	1.3/5.0	100/6.9	5.0	Viton	Santoprene	3/8" Barb	12V	2-Pin/Leads
SFDP2-013-100-22	Demand	1.3/5.0	100/6.9	2.6	Viton	Santoprene	3/8" Barb	24V	2-Pin/Leads
SFDP1-012-080-22	Demand	1.2/4.5	80/5.5	4.5	Viton	Santoprene	3/8" Barb	12V	2-Pin/Leads
SFDP2-012-080-22	Demand	1.2/4.5	80/5.5	2.3	Viton	Santoprene	3/8" Barb	24V	2-Pin/Leads

Consult factory for other available models

### FITTINGS

Item Number	Size	Fitting Type	Material
21F001	15/32" x 3/8" Barb	HB Elbow Fitting w/ O-ring	PA
21F003	3/8" x 1/4" QA	TUBE Staight w/ O-ring	POM



10mm



3/8"

1/4" 6mm

21F001

21F003