



Diaphragm Pump 21 Series

Don't let the compact dimensions of the Seaflo 21 series diminish the fact that it's hardened and prepared for extreme conditions. The pump head and components utilize a completely integrated design, requiring minimal labor to replace.

Features & Benefits

- Compact design
- Heavy-duty demand switch
- Can run dry
- Quiet operation
- Industry standard mount pattern

Typical Applications

- Marine/RV
- Water Treatment/RO
- Beverage/Food Service
- Distillation Equipment
- Agricultural Spraying
- General Industrial
- Automotive

PUMP

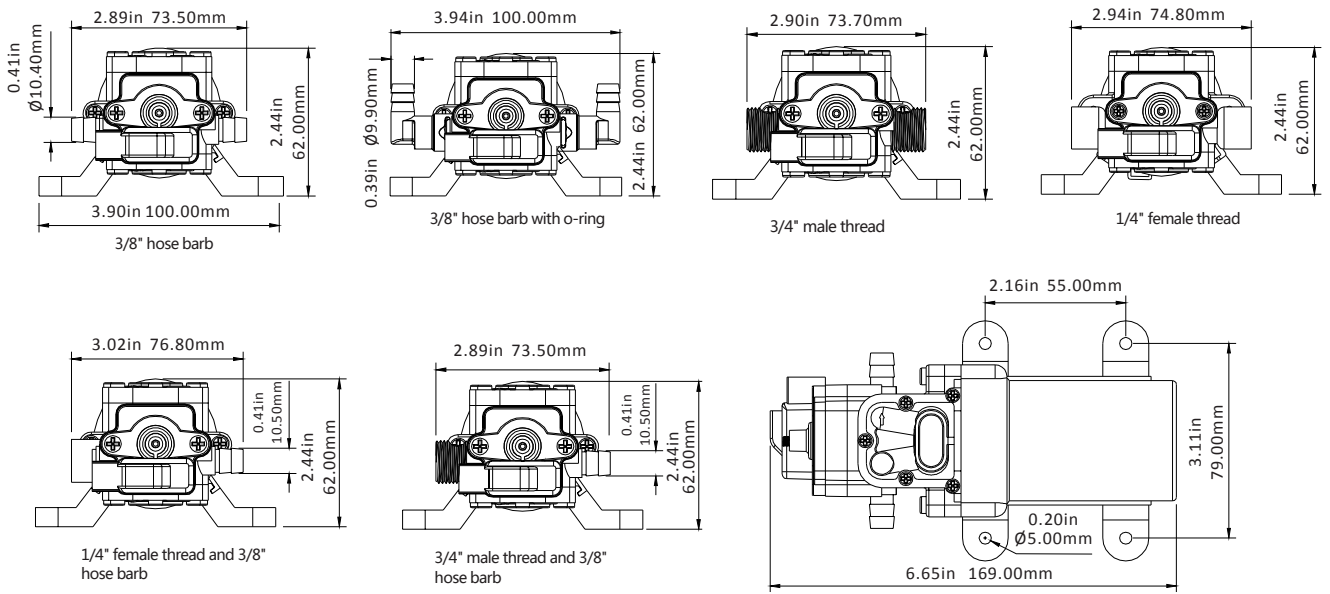
- Type**
2 Chamber positive displacement diaphragm pump, self priming, capable of being run dry
- Max Recommended Temperature**
110°F (43°C) Max.
- Priming Capabilities**
4 feet (1.2 m) suction lift
- Max Pressure**
40PSI (2.8 bar)
- Demand Switch**
Shut-Off: 40±5 PSI (2.8±0.3 bar)
Turn-On: 25±5 PSI (1.7±0.3 bar)

Inlet/Outlet Ports

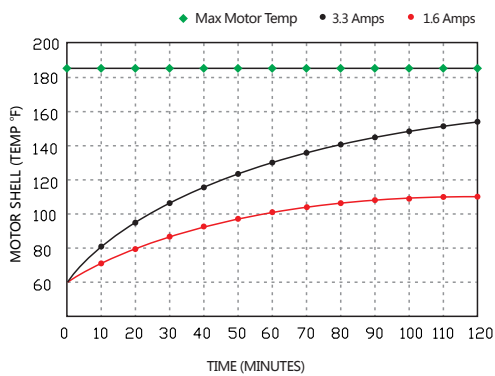
- 3/8" hose barb
- Weight**
1.25 lbs (0.57 kg)

MOTOR

- Duty Cycle**
Intermittent
- Voltage**
12v/24v
- Leads**
18 AWG, 13.78" long with 2-Pin connector/Leads



HEAT RISE



PUMP PERFORMANCE

PSI	1.0 GPM			
	GPM	BAR	LPM	AMPS
0	0.87	0	3.29	1.3
5	0.84	0.34	3.18	1.5
10	0.81	0.68	3.07	1.5
15	0.78	1.03	2.95	1.6
20	0.76	1.36	2.88	1.7
25	0.73	1.72	2.76	1.9
30	0.70	2.04	2.65	2.0
35	0.66	2.41	2.50	2.1
40	0	2.72	0	0

PUMP PERFORMANCE

PSI	0.7 GPM			
	GPM	BAR	LPM	AMPS
0	0.65	0	2.46	0.7
10	0.55	0.68	2.08	0.8
20	0.50	1.36	1.89	1.0
30	0.48	2.04	1.82	1.1
40	0.45	2.72	1.70	1.3
50	0.42	3.40	1.59	1.4
60	0.37	4.08	1.40	1.4
70	0	4.81	0	0

STANDARD PUMP CONFIGURATIONS

Model	GPM	Switch	Amps	PSI	Valves	Diaphragm	Ports	Voltage	Wire Connections
SFDP1-010-040-21	1.0 GPM	Demand	4.0 MAX	40	Viton	Santoprene	3/8" Barb	12V	2-Pin/Leads
SFDP2-010-040-21	1.0 GPM	Demand	2.0 MAX	40	Viton	Santoprene	3/8" Barb	24V	2-Pin/Leads
SFDP1-007-070-21	0.7 GPM	Demand	4.0 MAX	70	Viton	Santoprene	3/8" Barb	12V	2-Pin/Leads
SFDP2-007-070-21	0.7 GPM	Demand	2.0 MAX	70	Viton	Santoprene	3/8" Barb	24V	2-Pin/Leads

Consult factory for other available models

FITTINGS

Item Number	Size	Fitting Type	Material
21F001	15/32" x 3/8" Barb	HB Elbow Fitting w/ O-ring	PA
21F003	3/8" x 1/4" QA	TUBE Staight w/ O-ring	POM

